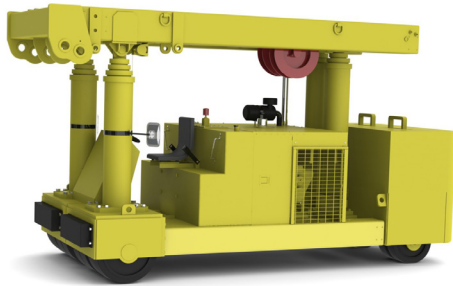


MODEL
TL150BW TRILIFTER
75 TON (68 TONNE)



THE ULTIMATE RIGGING MACHINE



P.O. Box 506 Dixon, IL 61021 Phone: +1-815-288-7626 Fax: +1-815-288-7634
riggers@riggers.com www.riggers.com

TL150BW STANDARD EQUIPMENT

ENGINE:

GM 4.3L, V6
105 hp (78 Kw)

HYDRAULIC RESERVOIR:

290 gallons (1098 liters)

CONTROL SYSTEM:

CARL (Computer Assisted Remote Lifting) Control System. Lift Height, Boom Extension, Pressure, Counterweight Load Pin. Automatic Shutdown for overload conditions. Large easy to read display screen with push button navigation and dial adjustment.

CONTROLS:

Separate controls for each function. Combination of foot pedal, joystick, and push button controls allows for multiple functions to be performed at the same time.

DRIVE:

Poclain MK35 drive motors (qty. 2).

Electronic Control of travel speed.

Posi Drive Feature for increased traction.

WHEELS:

Front: qty. (6)

Diameter: 28" (711 mm)

Width: (2) @ 16" (406 mm) and (4) @ 10" (256 mm)

Rear: qty. (4)

Diameter: 22" (559 mm)

Width: 8" (203 mm)

Replaceable polyurethane composition

STEERING:

80 degree steering of rear wheels.

OSCILLATING REAR STEERING BOX:

Keeps all steering wheels in contact with ground.

OUTSIDE TURNING RADIUS:

Counterweight Retracted: 18'0" (5,486 mm)

Counterweight Extended 5' (1,524 mm): 23'0" (7,010 mm)

TRAVEL SPEED:

0.0 - 3.64mph (0 - 5.85 km/h)

GRADABILITY:

Unloaded maximum grade is 20%

Loaded maximum grade is 8%

GROUND BEARING PRESSURE:

Loaded Front Tires: 653 psi maximum (45.9 kg/cm²)

Unloaded Rear Tires: 479 psi maximum (33.7 kg/cm²)

TELESCOPING COUNTERWEIGHT:

Standard counterweight section telescopes 5' (1,524 mm) using (2) hydraulic cylinders.. Push button control.

LIFT CYLINDERS:

Qty. (4) double acting lift cylinders capable of lifting and lowering with a full load.

Safety holding valves installed on all cylinders. Spherical bearings ensure constant alignment with the boom.

Front: Qty. (2) 4-stage cylinders

Rear: Qty. (2) 3-stage cylinders

BOOM TELESCOPE CYLINDERS:

Twin double-acting single-stage cylinders capable of telescoping the boom in and out with a full load.

Safety holding valves are installed on both cylinders.

LIFTING EYES:

Qty. (2) located on corners of boom with 37.5 ton (34 tonne) capacity each.

WEIGHTS:

Base Machine: 40,500 lbs. (18,387 kg)

Counterweights: 29,400 lbs. (13,344 kg) total
Qty. (6) 4,900 lbs. (2,224 kg) each

Fork Buttress: 1,300 lbs. (590 kg)

75 ton Forks: 7,170 total (3,255 kg)

65 ton Spinner: 350 lbs. (159 kg)

Spreader Bar: 1,390 lbs. (631 kg)

Jib: 5,500 lbs. (2,497 kg)

Riggers Boom: 6,400 lbs. (2,906 kg)

COUNTERWEIGHTS:

Fork Loops installed for ease of handling.

TIE DOWN / LIFTING EYES:

Tie down / lifting eyes installed for securing unit during transport and for lifting of the unit.

OTHER STANDARD FEATURES:

Back up alarm, horn, strobe light, operator seat complete with safety belt.

TL150BW OPTIONAL EQUIPMENT

FORKLIFT ATTACHMENT

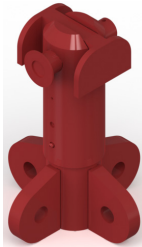


Turn the TriLifter into a 75 ton forklift with the addition of forks and a butress.

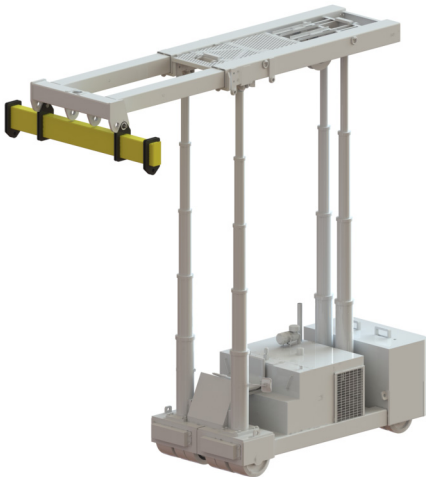
65 TON SPINNER



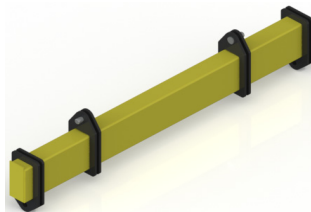
Rotate loads 360° with the 65 ton spinner. The modular spinner can also be connected to a hydraulic gantry lifting link.



SPREADER BAR



The 25 ton Spreader Bar increases the width of your unit and also assists in lifting offset loads.



RIGGERS BOOM



With the NEW Riggers Boom option, the TriLifter can reach an amazing 35' (10.6 m) with 25 tons!

Vertical mast fork lifts have nothing on the TriLifter!

RADIO REMOTE CONTROL



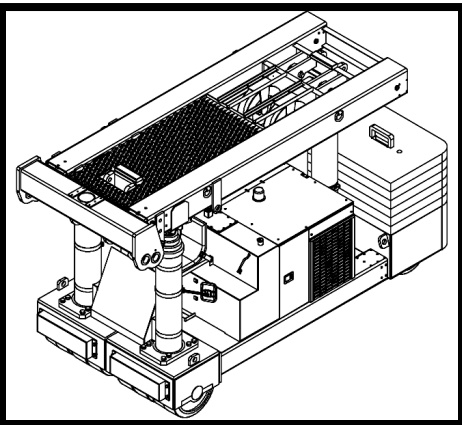
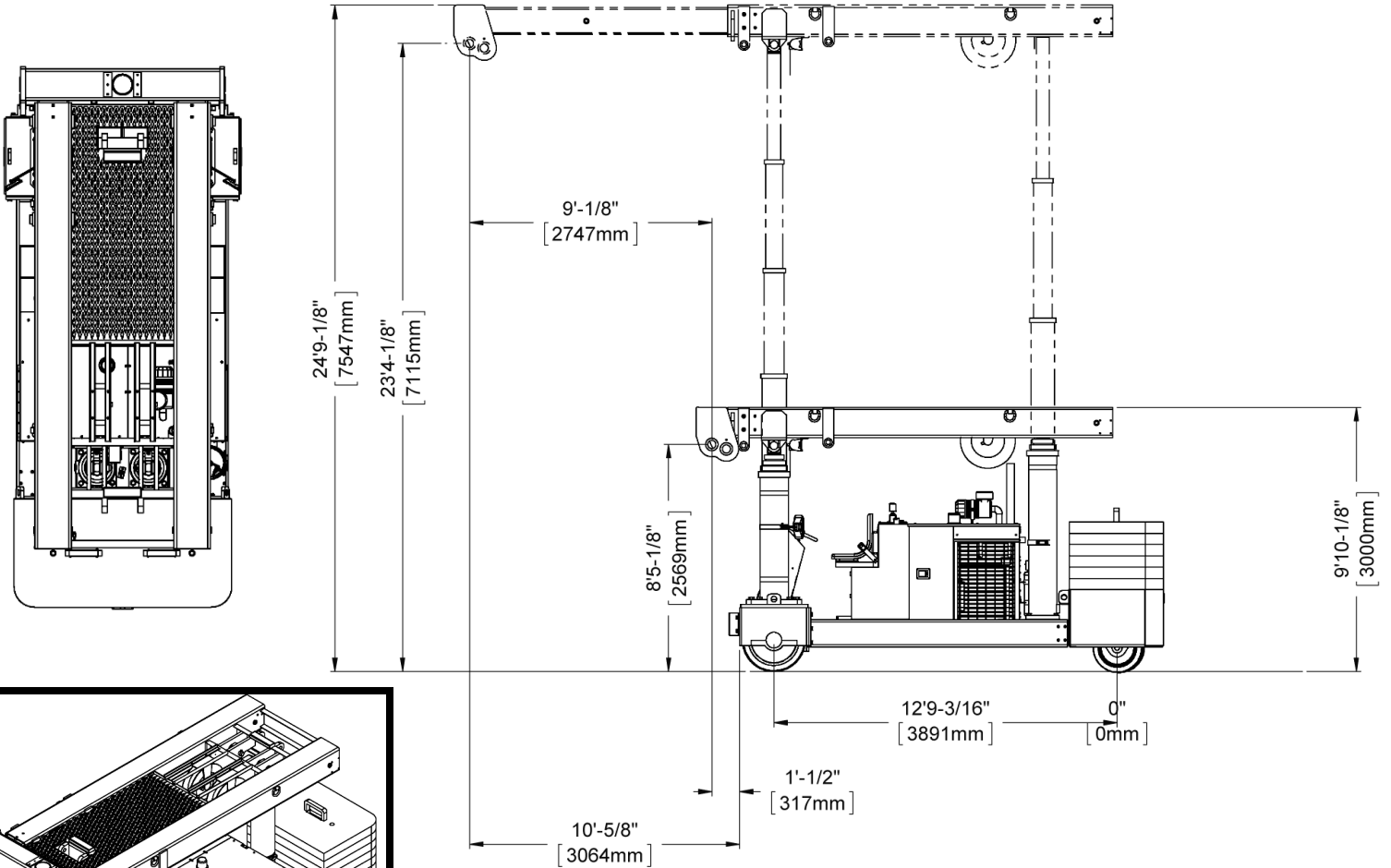
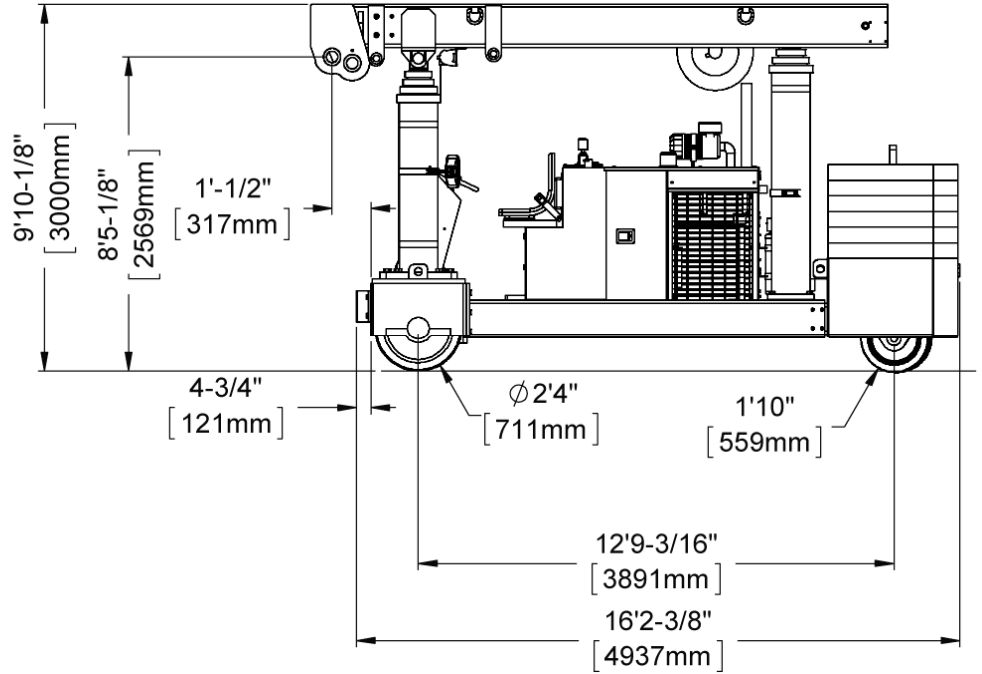
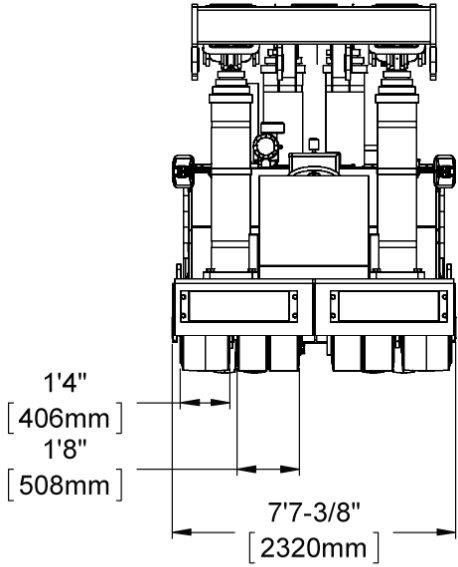
Operate the TriLifter from a Radio Remote instead of the operators seat. Allow your operator the optimal view of every lift. Emergency stop button standard.

JIB



Increase the range of your TriLifter to 20' (6m) from the front of your unit. The pin-on jib extends with the power boom.

TL150BW DIMENSIONS



TL150BW LOAD CHARTS

TL150BW LIFTING CAPACITY FROM LIFTING EYES

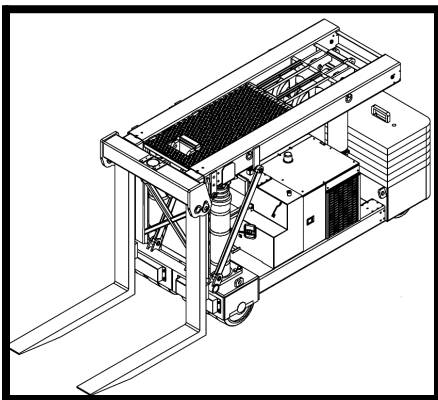
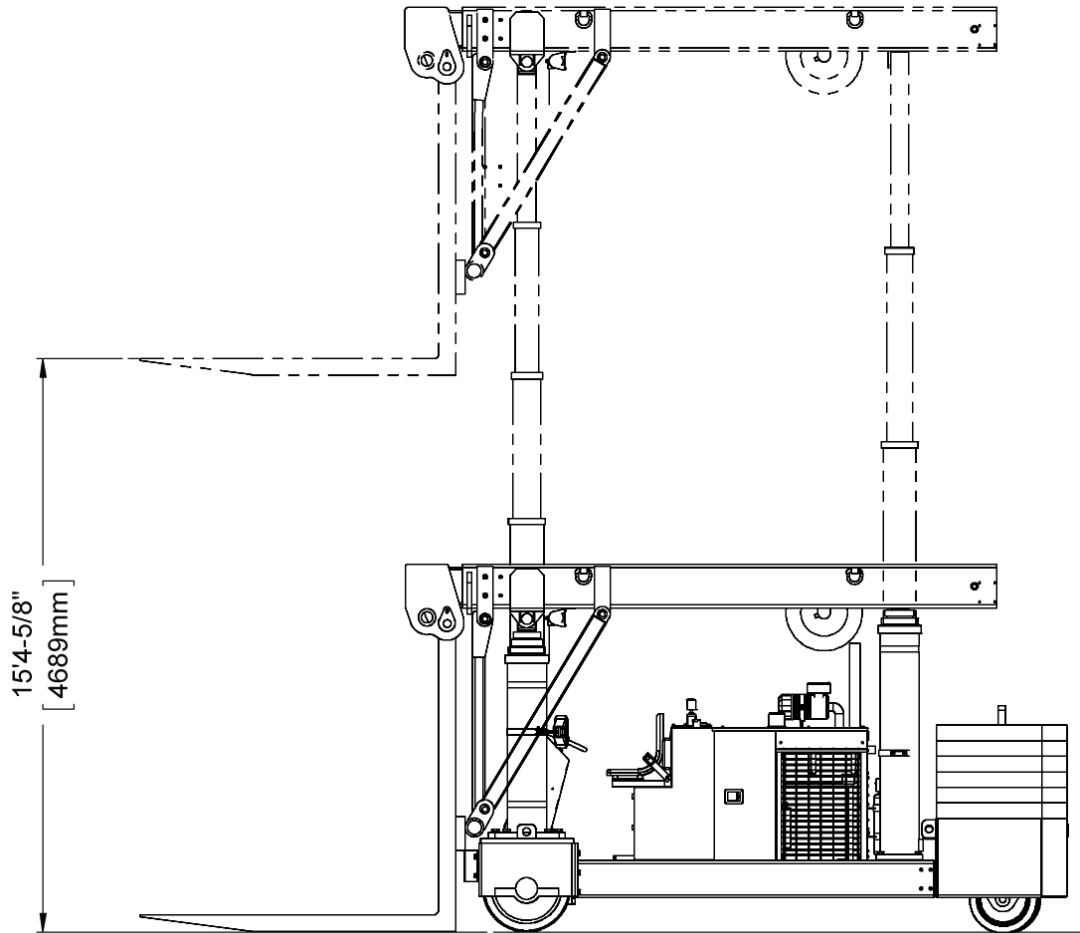
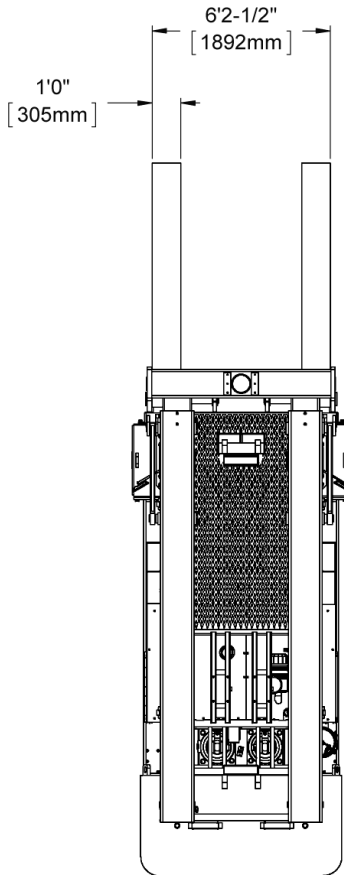
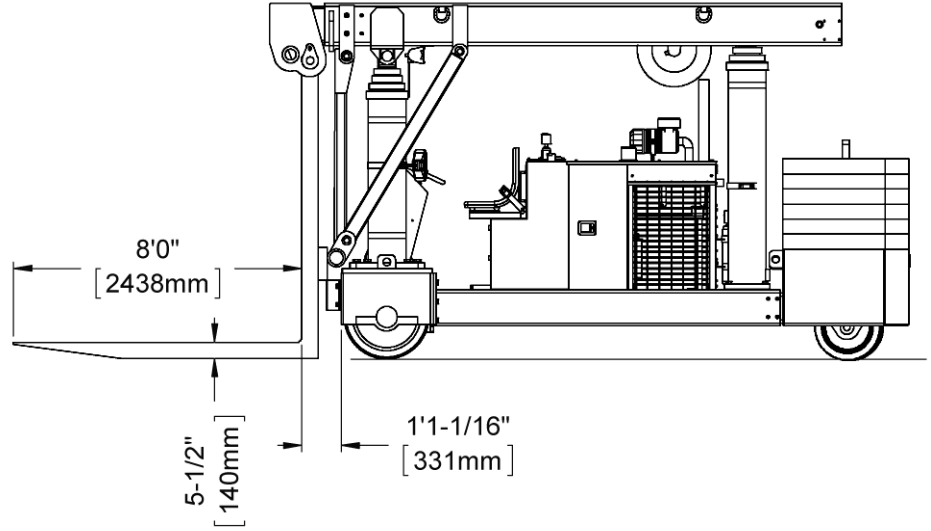
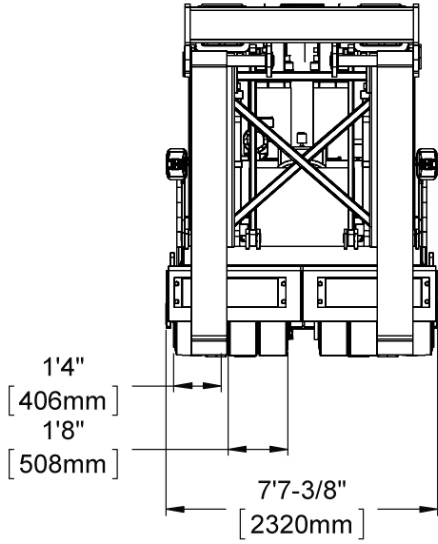
BOOM EXTENSION INCHES	COUNTERWEIGHT IN POUNDS	COUNTERWEIGHT OUT POUNDS
36	112,000	150,000
48	90,000	122,000
60	76,000	102,000
72	64,000	88,000
84	56,000	76,000
96	50,000	68,000
108	46,000	62,000
120	42,000	56,000

TL150BW LOAD CHARTS—METRIC

TL150BW LIFTING CAPACITY FROM LIFTING EYES

BOOM EXTENSION MILLIMETERS	COUNTERWEIGHT IN KILOGRAMS	COUNTERWEIGHT OUT KILOGRAMS
914	50,800	68,000
1,219	40,800	55,400
1,524	34,400	46,200
1,829	29,000	40,000
2,134	25,400	34,500
2,348	22,700	30,800
2,743	20,900	28,000
3,048	19,000	25,400

TL150BW DIMENSIONS WITH FORKS



TL150BW LOAD CHARTS WITH FORKS

TL150BW LIFTING CAPACITY FROM 75 TON FORKS

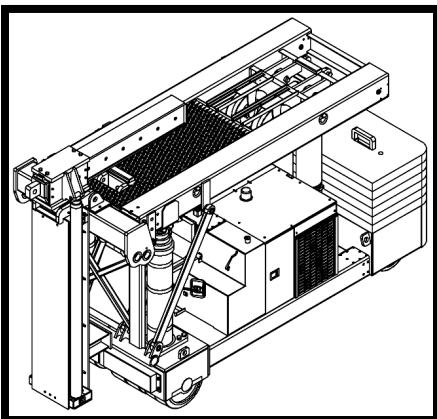
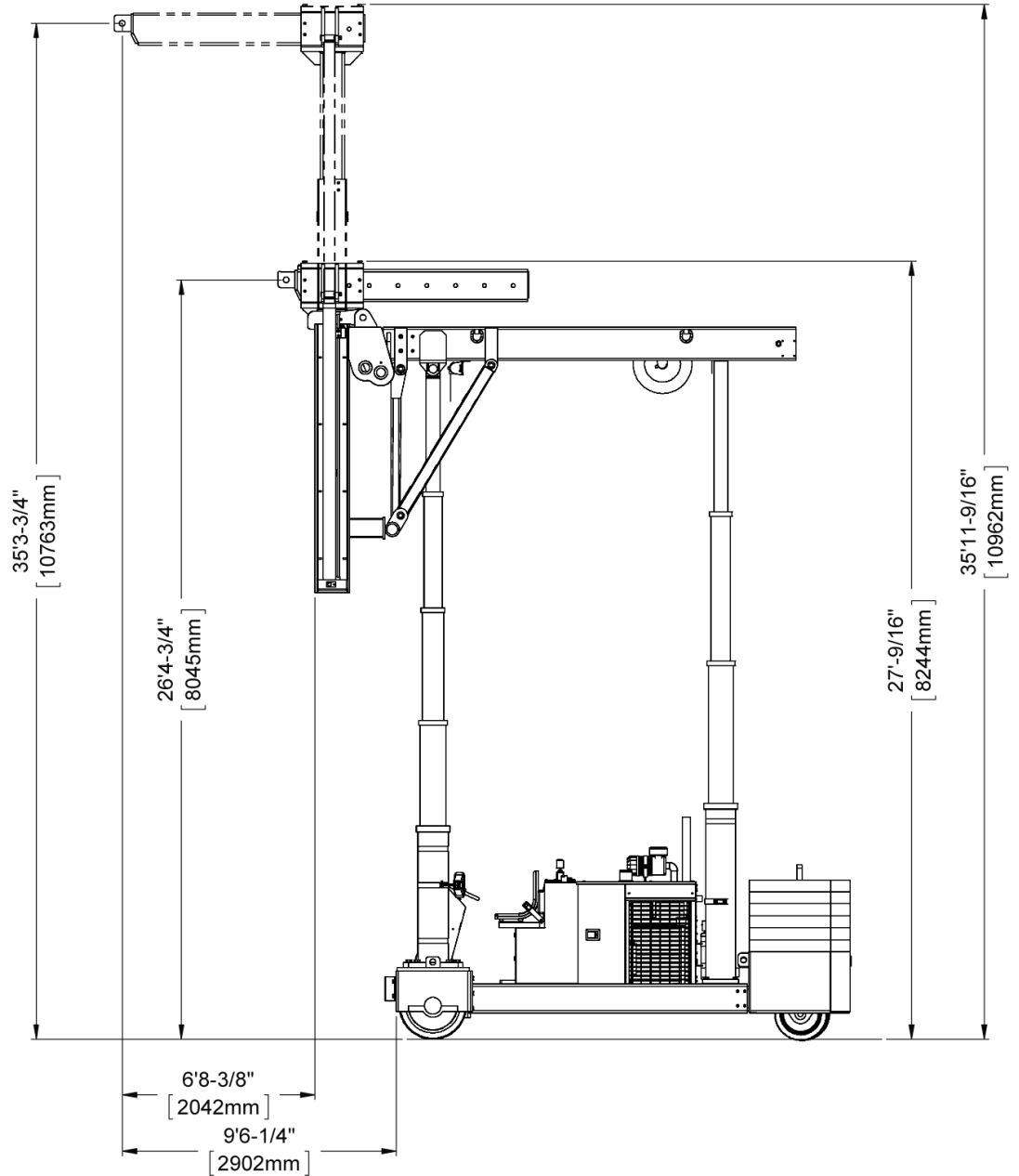
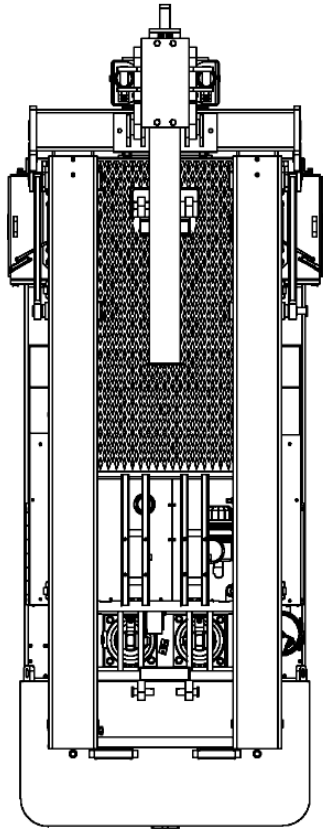
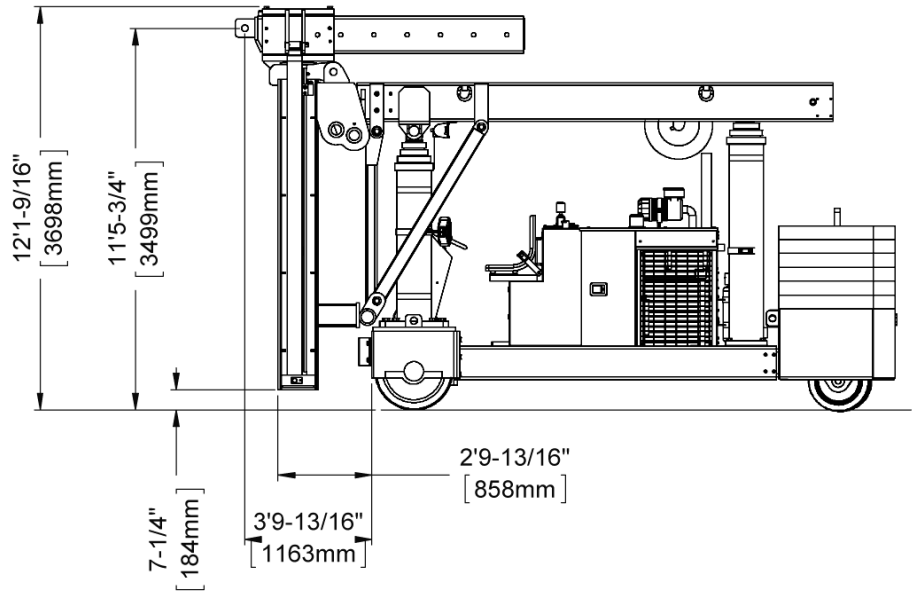
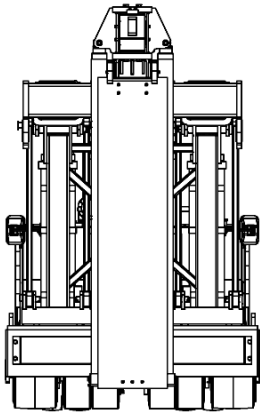
LOAD CENTER INCHES	COUNTERWEIGHT IN POUNDS	COUNTERWEIGHT OUT POUNDS
24	111,800	147,400
36	88,600	117,500
48	72,800	94,500
60	61,400	75,600
72	52,700	63,000
84	45,900	54,000
96	40,300	48,300

TL150BW LOAD CHARTS WITH FORKS—METRIC

TL150BW LIFTING CAPACITY FROM 68 TONNE FORKS

LOAD CENTER MILLIMETERS	COUNTERWEIGHT IN KILOGRAMS	COUNTERWEIGHT OUT KILOGRAMS
610	50,710	66,860
914	40,185	53,295
1,219	33,020	42,865
1,524	27,850	34,290
1,829	23,900	28,570
2,134	20,820	24,490
2,438	18,280	21,905

TL150BW DIMENSIONS WITH RIGGERS BOOM



TL150BW LOAD CHARTS WITH RIGGERS BOOM

TL150BW LIFTING CAPACITY FROM RIGGERS BOOM

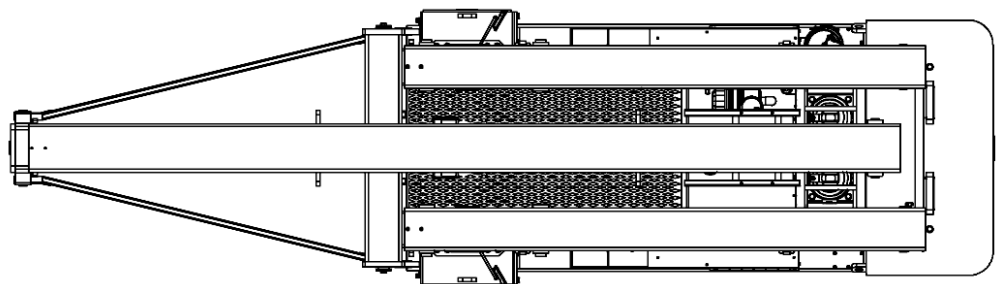
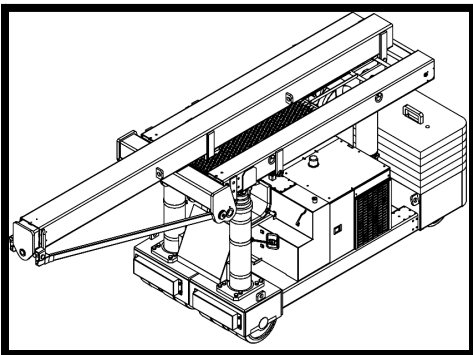
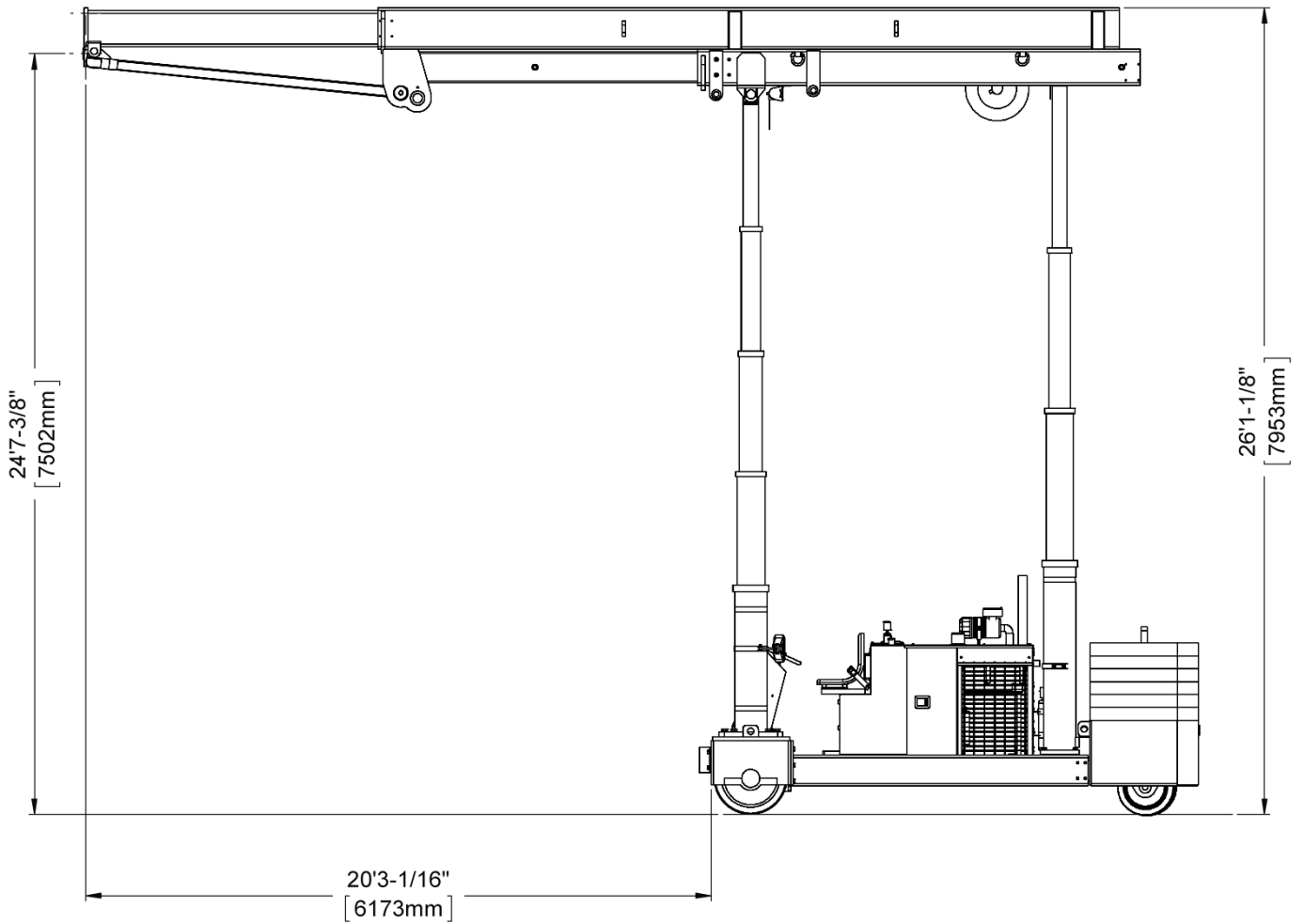
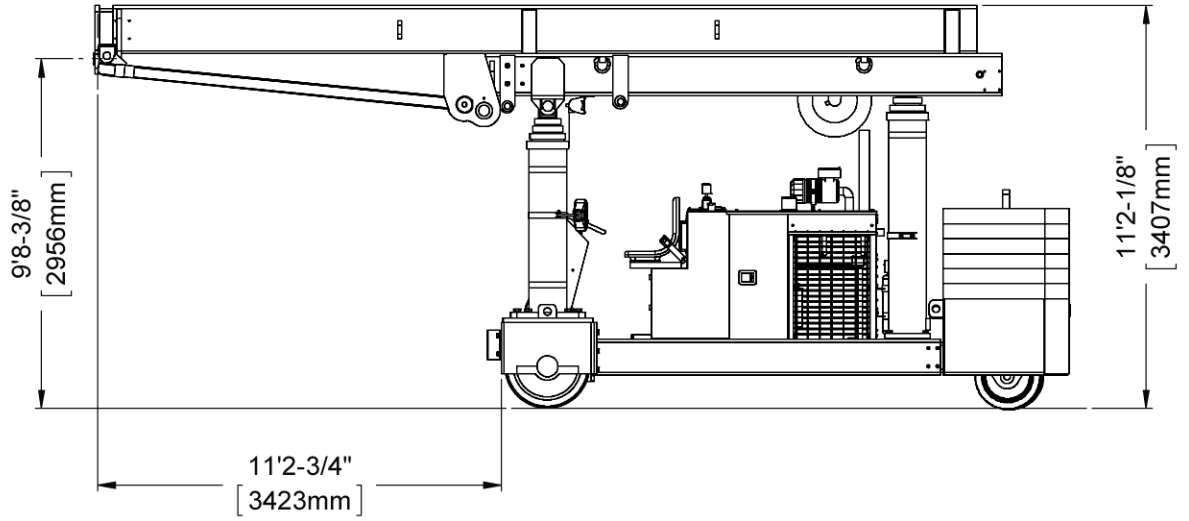
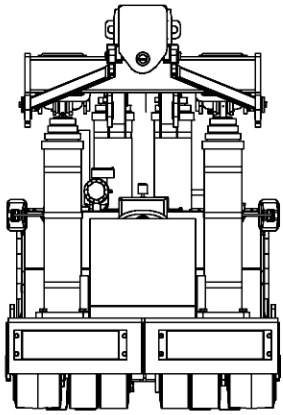
BOOM EXTENSION FROM FACE INCHES	COUNTERWEIGHT IN POUNDS	COUNTERWEIGHT OUT POUNDS
12	50,000	50,000
20	50,000	50,000
32	50,000	50,000
44	50,000	50,000
56	50,000	50,000
68	45,600	50,000
80	40,200	50,000

TL150BW LOAD CHARTS WITH RIGGERS BOOM—METRIC

TL150BW LIFTING CAPACITY FROM RIGGERS BOOM

BOOM EXTENSION FROM FACE MILLIMETERS	COUNTERWEIGHT IN KILOGRAMS	COUNTERWEIGHT OUT KILOGRAMS
305	22,680	22,860
508	22,680	22,860
813	22,680	22,860
1,118	22,680	22,860
1,422	22,680	22,860
1,727	20,680	22,860
2,032	18,235	22,860

TL150BW DIMENSIONS WITH JIB



TL150BW LOAD CHARTS WITH JIB

TL150BW LIFTING CAPACITY FROM JIB

BOOM EXTENSION INCHES	JIB EXTENSION INCHES	COUNTERWEIGHT IN POUNDS	COUNTERWEIGHT OUT POUNDS
24	148	33,000	44,000
36	160	30,200	40,400
48	172	28,000	37,400
60	184	26,000	34,800
72	196	23,600	32,000
84	208	22,000	28,800
96	220	20,400	27,800
108	232	19,000	26,000
120	244	17,600	24,200

TL150BW LOAD CHARTS WITH JIB—METRIC

TL150BW LIFTING CAPACITY FROM JIB

BOOM EXTENSION MILLIMETERS	JIB EXTENSION MILLIMETERS	COUNTERWEIGHT IN KILOGRAMS	COUNTERWEIGHT OUT KILOGRAMS
610	3,760	14,965	19,955
914	4,064	13,695	18,325
1,219	4,369	12,700	16,960
1,524	4,674	11,790	15,785
1,829	4,979	10,705	14,515
2,134	5,284	9,975	13,060
2,438	5,588	9,250	12,610
2,743	5,893	8,615	11,790
3,048	6,198	7,980	10,975