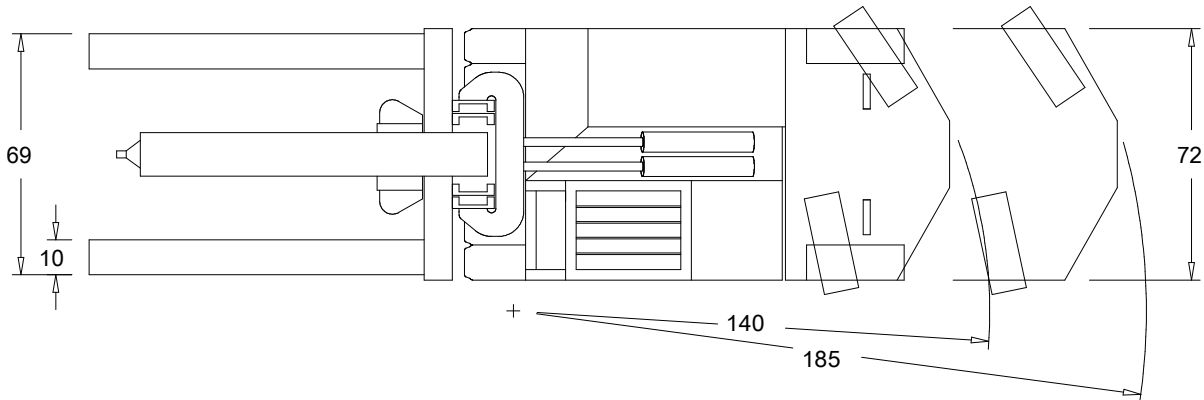
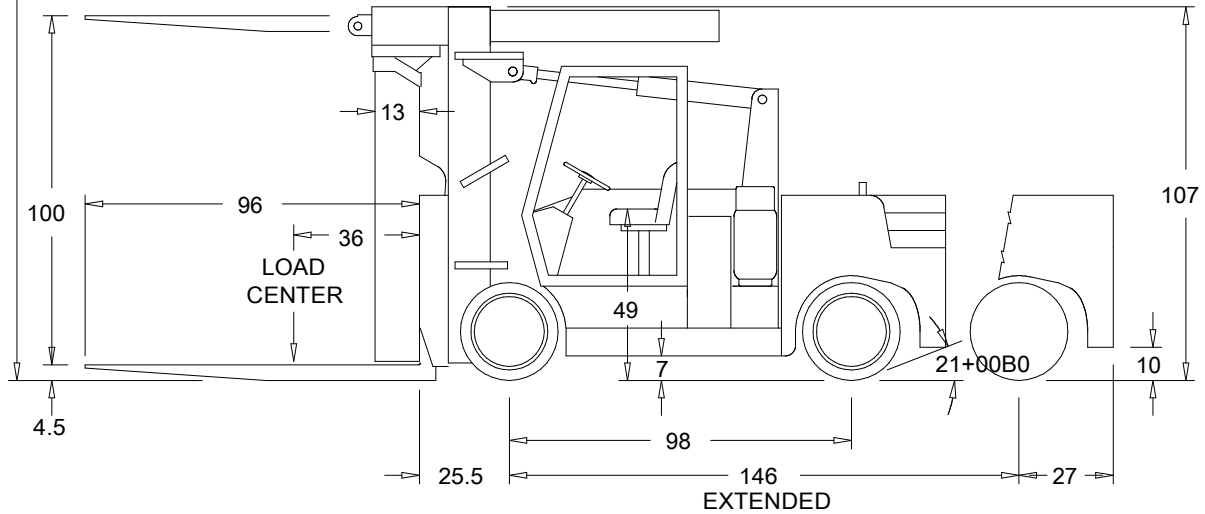
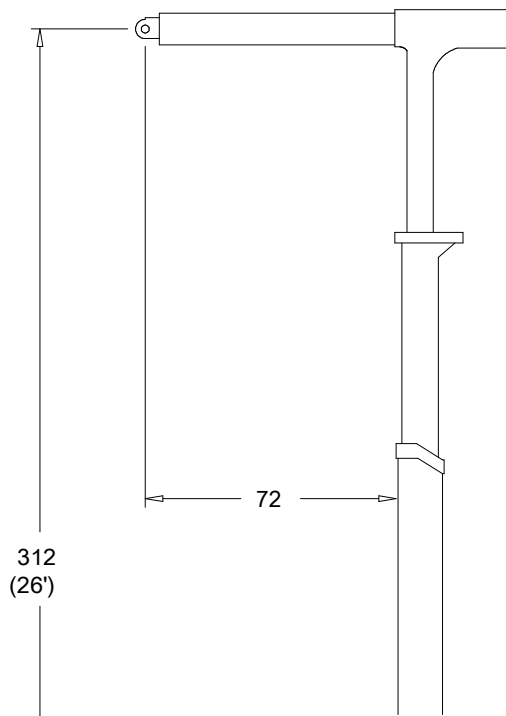


# VERSA-LIFT 40/60

40000 LBS @ 36" RETRACTED  
60000 LBS @ 36" EXTENDED

ENGINE:	GM 3.0 L
TRANSMISSION:	REXROTH HYDROSTATIC
DRIVE AXLE:	ROCKWELL PLANETARY DRIVE
TIRES:	FRONT 28X10X22 POLY. DUAL REAR 28X10X22 POLY.
GRADE:	EMPTY 47% LOADED 20%
TILT:	FORWARD 12°, BACK 7°
WEIGHTS:	GROSS 57000 LBS COUNTERWEIGHT 15000 LBS BOOM 5500 LBS FORKS 3000 LBS



**CUSTOM MOBILE EQUIPMENT, INC.**

439 EAST HIGH STREET, BALDWIN CITY, KS 66006

(785) 594 7474 FAX (785) 594 7475

## 40/60 Versa-Lift with 0 Counterweight Slabs

Slab Weight (lbs)

**3750**

Number of Slabs

**0**

Standard Wheel Base

**98**

		<b>Lift Capacities w/Forks Only (lbs)</b>				
		Counter Weight Extension (in)				
		0	12	24	36	48
<b>Load Center From Fork Face (in)</b>	36	22100	24400	26800	29100	31400
	48	18500	20500	22400	24300	26300
	60	15900	17600	19200	20900	22600
	72	14000	15400	16900	18300	19800
	84	12400	13700	15000	16300	17600

		<b>Lift Capacities w/Boom Only (lbs)</b>				
		Counter Weight Extension (in)				
		0	12	24	36	48
<b>Load Center From Boom Face (in)</b>	24	20500	22700	25000	27300	29600
	36	17200	19100	21000	22900	24800
	48	14800	16400	18100	19700	21400
	60	13000	14400	15900	17300	18800
	72	11600	12900	14100	15400	16700
	84	10400	11600	12800	13900	15100
	96	9500	10600	11600	12700	13700
	108	8700	9700	10700	11600	12600
120	8100	9000	9900	10800	11700	

		<b>Lift Capacities w/Boom &amp; Forks (lbs)</b>				
		Counter Weight Extension (in)				
		0	12	24	36	48
<b>Load Center From Boom Face (in)</b>	24	19100	21400	23700	25900	28200
	36	16000	18000	19900	21800	23700
	48	13800	15500	17100	18700	20400
	60	12100	13600	15000	16500	17900
	72	10800	12100	13400	14700	16000
	84	9800	10900	12100	13200	14400

\*\*\*All Load Capacities are Rated with the Mast Vertical

## 40/60 Versa-Lift with 1 Counterweight Slabs

Slab Weight (lbs)

**3750**

Number of Slabs

**1**

Standard Wheel Base

**98**

		<b>Lift Capacities w/Forks Only (lbs)</b>				
		Counter Weight Extension (in)				
		0	12	24	36	48
<b>Load Center From Fork Face (in)</b>	36	27000	29900	32800	35700	38600
	48	22600	25000	27400	29900	32300
	60	19400	21500	23600	25700	27800
	72	17000	18900	20700	22500	24300
	84	15200	16800	18400	20100	21700

		<b>Lift Capacities w/Boom Only (lbs)</b>				
		Counter Weight Extension (in)				
		0	12	24	36	48
<b>Load Center From Boom Face (in)</b>	24	25300	28100	31000	33800	36700
	36	21200	23600	26000	28400	30800
	48	18300	20300	22400	24400	26500
	60	16000	17800	19600	21500	23300
	72	14300	15900	17500	19100	20700
	84	12900	14300	15800	17300	18700
	96	11700	13100	14400	15700	17000
	108	10800	12000	13200	14400	15600
	120	10000	11100	12200	13300	14500

		<b>Lift Capacities w/Boom &amp; Forks (lbs)</b>				
		Counter Weight Extension (in)				
		0	12	24	36	48
<b>Load Center From Boom Face (in)</b>	24	23900	26800	29600	32500	35300
	36	20100	22500	24900	27200	29600
	48	17300	19300	21400	23500	25500
	60	15200	17000	18800	20600	22400
	72	13500	15100	16800	18400	20000
	84	12200	13700	15100	16600	18000

*\*\*\*All Load Capacities are Rated with the Mast Vertical*

## 40/60 Versa-Lift with 2 Counterweight Slabs

Slab Weight (lbs)

**3750**

Number of Slabs

**2**

Standard Wheel Base

**98**

		<b>Lift Capacities w/Forks Only (lbs)</b>				
		Counter Weight Extension (in)				
		0	12	24	36	48
<b>Load Center From Fork Face (in)</b>	36	31900	35400	38900	42300	45800
	48	26700	29600	32500	35400	38300
	60	22900	25400	27900	30500	33000
	72	20100	22300	24500	26700	28900
	84	17900	19900	21800	23800	25700

		<b>Lift Capacities w/Boom Only (lbs)</b>				
		Counter Weight Extension (in)				
		0	12	24	36	48
<b>Load Center From Boom Face (in)</b>	24	30100	33500	36900	40300	43800
	36	25200	28100	31000	33800	36700
	48	21700	24200	26700	29100	31600
	60	19100	21200	23400	25600	27800
	72	17000	18900	20900	22800	24800
	84	15300	17100	18800	20600	22300
	96	14000	15600	17200	18700	20300
	108	12800	14300	15700	17200	18700
	120	11900	13200	14600	15900	17300

		<b>Lift Capacities w/Boom &amp; Forks (lbs)</b>				
		Counter Weight Extension (in)				
		0	12	24	36	48
<b>Load Center From Boom Face (in)</b>	24	28700	32200	35600	39000	42400
	36	24100	27000	29800	32700	35600
	48	20800	23200	25700	28200	30700
	60	18200	20400	22600	24700	26900
	72	16200	18200	20100	22100	24000
	84	14700	16400	18200	19900	21600

*\*\*\*All Load Capacities are Rated with the Mast Vertical*

## 40/60 Versa-Lift with 3 Counterweight Slabs

Slab Weight (lbs)

**3750**

Number of Slabs

**3**

Standard Wheel Base

**98**

		<b>Lift Capacities w/Forks Only (lbs)</b>				
		Counter Weight Extension (in)				
		0	12	24	36	48
<b>Load Center From Fork Face (in)</b>	36	36800	40800	44900	49000	53000
	48	30800	34200	37600	41000	44400
	60	26400	29400	32300	35200	38100
	72	23200	25800	28300	30900	33500
	84	20700	22900	25200	27500	29800

		<b>Lift Capacities w/Boom Only (lbs)</b>				
		Counter Weight Extension (in)				
		0	12	24	36	48
<b>Load Center From Boom Face (in)</b>	24	34900	38900	42900	46900	50900
	36	29200	32600	36000	39300	42700
	48	25200	28100	31000	33900	36800
	60	22100	24700	27200	29700	32300
	72	19700	22000	24200	26500	28800
	84	17800	19800	21900	23900	26000
	96	16200	18100	19900	21800	23600
	108	14900	16600	18300	20000	21700
	120	13700	15300	16900	18500	20100

		<b>Lift Capacities w/Boom &amp; Forks (lbs)</b>				
		Counter Weight Extension (in)				
		0	12	24	36	48
<b>Load Center From Boom Face (in)</b>	24	33500	37500	41500	45500	49500
	36	28100	31500	34800	38200	41600
	48	24200	27100	30000	32900	35800
	60	21300	23800	26400	28900	31400
	72	19000	21200	23500	25800	28000
	84	17100	19100	21200	23200	25300

*\*\*\*All Load Capacities are Rated with the Mast Vertical*

## 40/60 Versa-Lift with 4 Counterweight Slabs

Slab Weight (lbs)

**3750**

Number of Slabs

**4**

Standard Wheel Base

**98**

		<b>Lift Capacities w/Forks Only (lbs)</b>				
		Counter Weight Extension (in)				
		0	12	24	36	48
<b>Load Center From Fork Face (in)</b>	36	41600	46300	51000	55600	60300
	48	34800	38700	42600	46500	50400
	60	30000	33300	36600	40000	43300
	72	26300	29200	32100	35100	38000
	84	23400	26000	28600	31200	33800

		<b>Lift Capacities w/Boom Only (lbs)</b>				
		Counter Weight Extension (in)				
		0	12	24	36	48
<b>Load Center From Boom Face (in)</b>	24	39700	44200	48800	53400	58000
	36	33300	37100	41000	44800	48600
	48	28700	32000	35300	38600	41900
	60	25200	28100	31000	33900	36800
	72	22400	25000	27600	30200	32800
	84	20200	22600	24900	27200	29600
	96	18400	20600	22700	24800	26900
	108	16900	18900	20800	22800	24700
	120	15600	17400	19200	*21000	*21000

\* Structural Limitations

		<b>Lift Capacities w/Boom &amp; Forks (lbs)</b>				
		Counter Weight Extension (in)				
		0	12	24	36	48
<b>Load Center From Boom Face (in)</b>	24	38300	42900	47500	52100	56600
	36	32200	36000	39800	43700	47500
	48	27700	31000	34300	37600	40900
	60	24300	27200	30100	33000	35900
	72	21700	24300	26900	29400	32000
	84	19600	21900	24200	26600	28900

\*\*\*All Load Capacities are Rated with the Mast Vertical